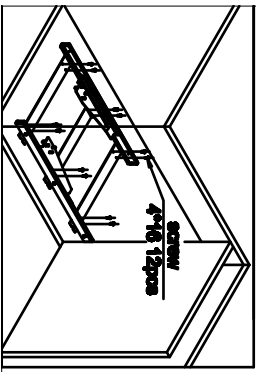
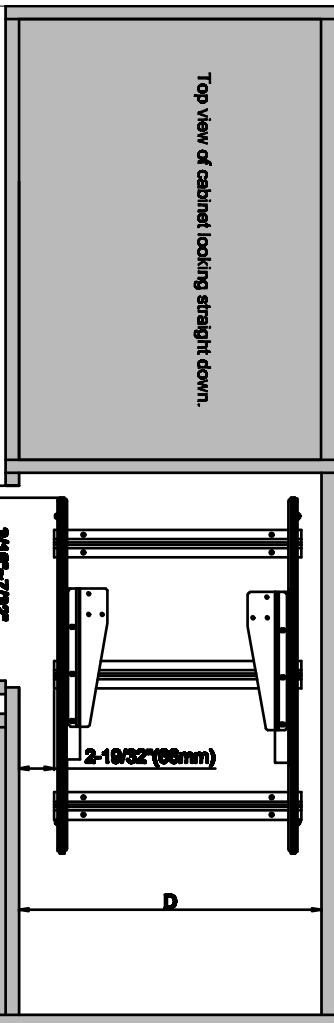
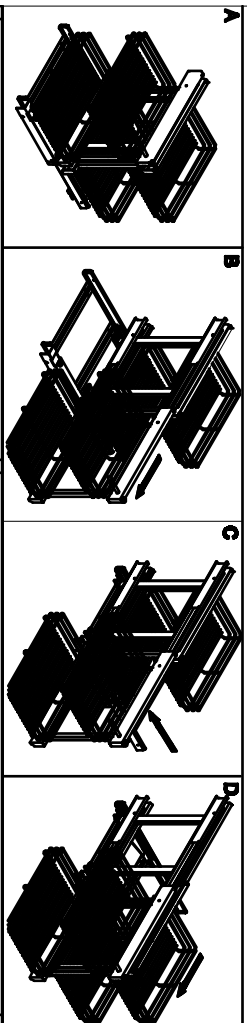
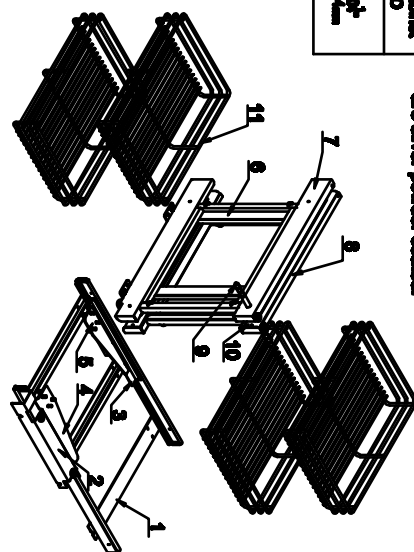


Assembly Instructions for CORNER OPTIMIZER (left)

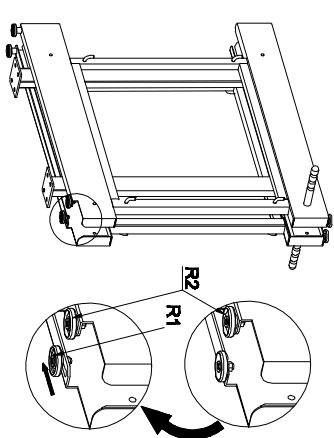
Size of Product WxDxH	Size of basket D,WxH	Min. Door Cabinet Open Height	Min. Total Depth of cabinet D
32 1/2" x 20 1/2" x 20 1/2" (820mm x 510mm x 510mm)	18 1/2" x 14 3/4" x 3 1/2" (420mm x 375mm x 89mm (Front and Rear))	17 1/2" (438mm)	21" (533mm)

Contents			
I	II	III	
1-Base	6-Support	11-Bracket	4-pcs
2-Guide channel	7-Right Guide	8-Left Guide	1-pc (Right/Left pair)
3-Base	9-Bracket	10-Bracket	2-pcs
4-Front 1	10-Bracket	10-Bracket	2-pcs
5-Front 2	10-Bracket	10-Bracket	2-pcs

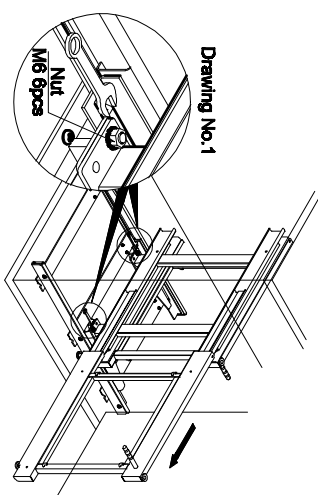
Baskets are Chroma, all others are silver powder coated.



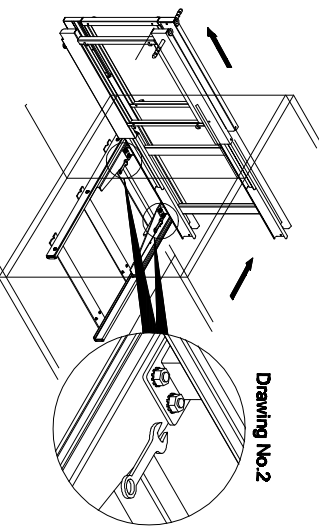
1. Place the Base into the Unit. Once the correct position has been determined, screw the Base into position.



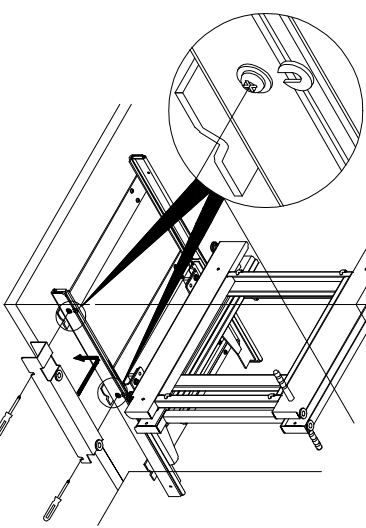
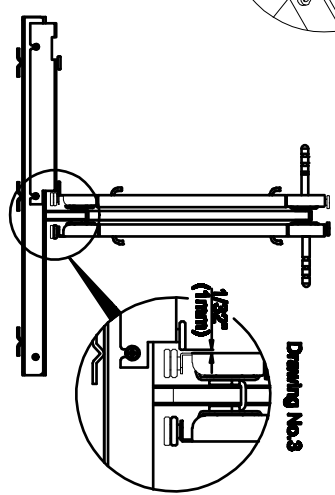
2. If using for BLIND LEFT CORNER OPTIMIZER, loosen the nut and move R1 backward to the end of the groove and tighten.



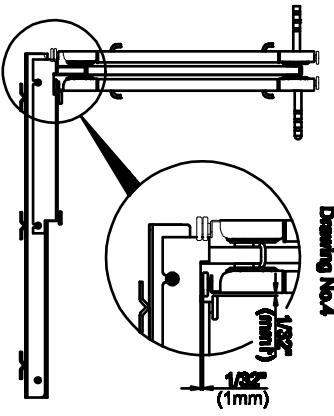
3.1. Move the sides to end of the base frame. Place the Support and Guides onto the Base and locate using 2 nuts supplied (referring to drawing NO.1).



3.2. Move the sides to other end of the base frame lightly and locate using 4 nuts supplied. (referring to drawing NO.2)



4. Loosen the 2 screws on end of the base frame and take off the C-washer. Place the Guide channel onto the Base and tighten using the 2 screws (referring to drawing NO.3 & 4 for fine adjustments if required).

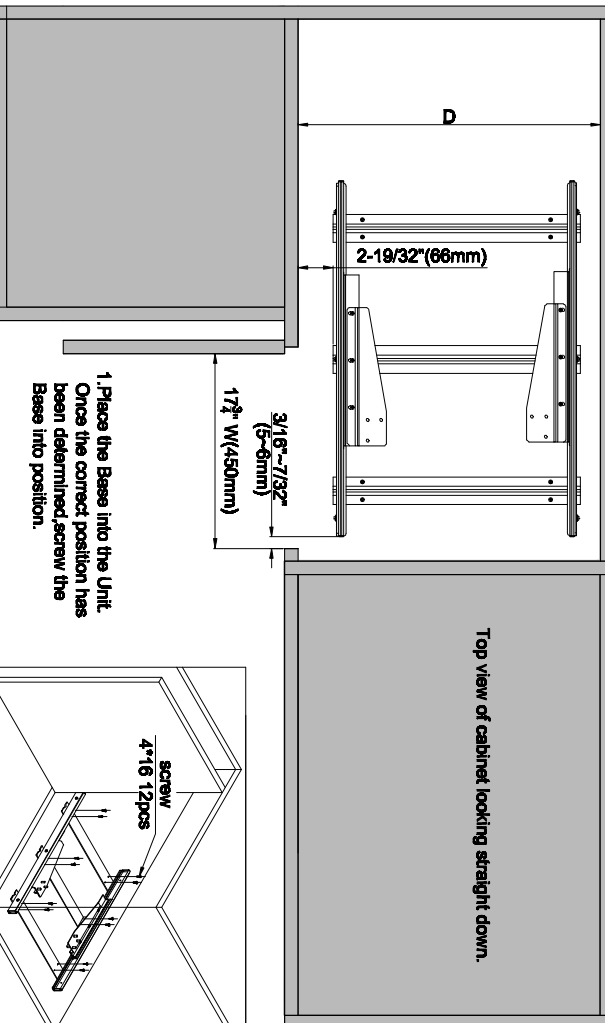
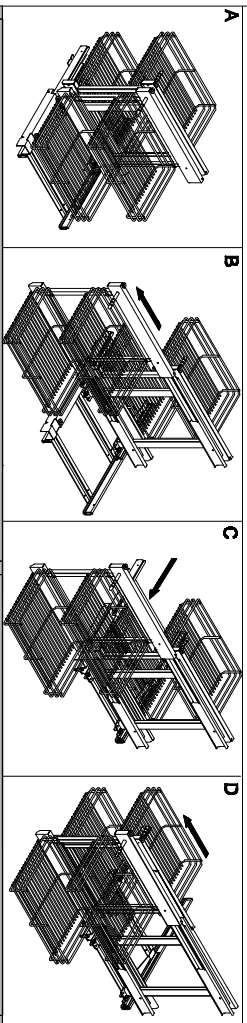
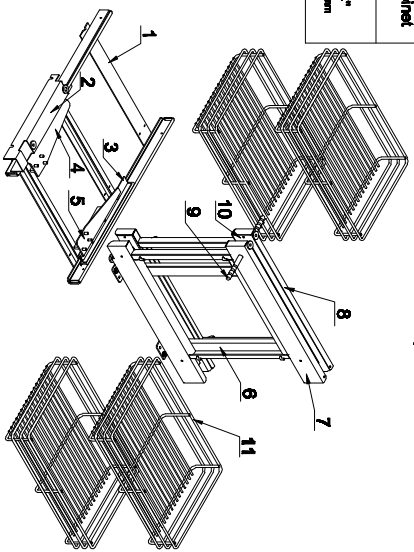


Assembly Instructions for CORNER OPTIMIZER (right)

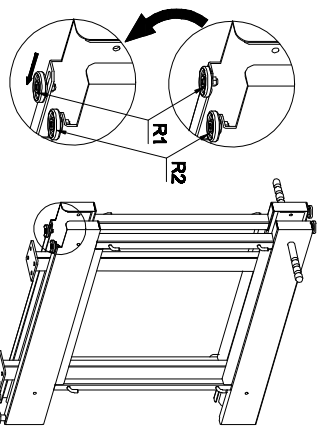
Size of Product WxDxH	Size of basket DxWxH	Min. Door Open	Min. Cabinet Height	Min. Neck Depth of cabinet D
32 1/2" x 20 1/2" x 20 1/2" (820mm x 510mm x 510mm)	18 1/2" x 14 1/2" x 3 1/2" (420mm x 375mm x 89mm) (front and Rear)	1 1/2"	21"	20 1/2"
		450mm	535mm	514mm

Baskets are Chrome, all others are silver powder coated.

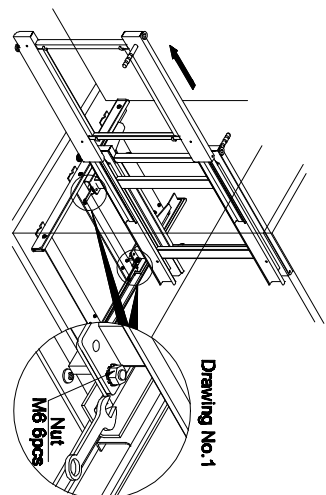
Contents		
I	II	III
1-Base	6-Support	11-Basket
2-Guide channel	7-Right Glide	4pcs
3-Slide	8-Left Glide	1pc
4-Foot 1	9-Handle	2pcs
5-Foot 2	10-Slide	4pcs
		M5*10 ST3.5*18 M6(Nut)



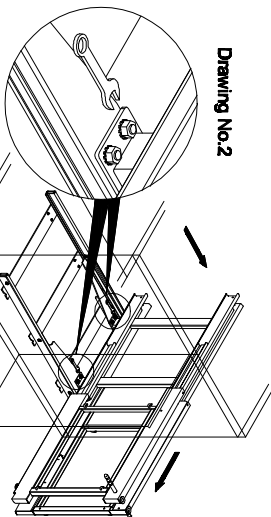
1. Place the Base into the Unit. Once the correct position has been determined, screw the Base into position.



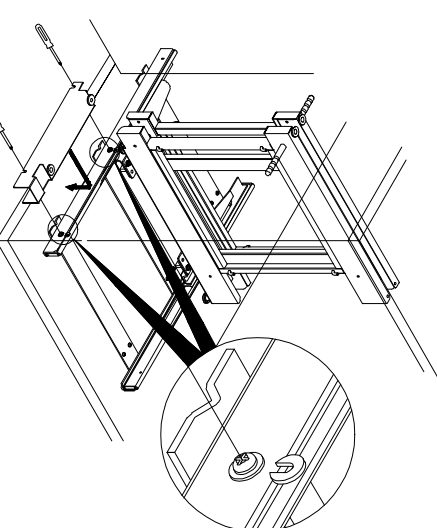
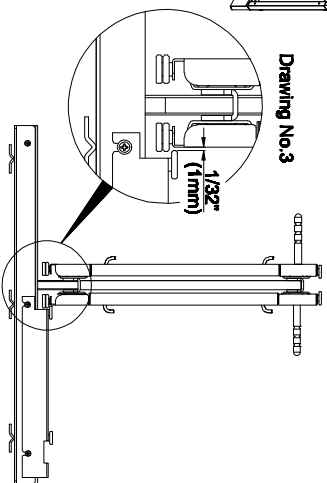
2. If using for **BLIND RIGHT CORNER OPTIMIZER**, loosen the nut and move R1 backward to the end of the groove and tighten.



3.1. Move the slides to end of the base frame. Place the Support and Glides onto the Base and locate using 2 nuts supplied (referring to drawing NO.1).



3.2. Move the slides to other end of the base frame lightly and locate using 4 nuts supplied. (referring to drawing NO.2)



4. Loosen the 2 screws on end of the base frame and take off the C-washer. Place the Guide channel onto the Base and tighten using the 2 screws (referring to drawing NO.3 & 4 for fine adjustments if required).

